



Polariscope Strain Viewer - Deluxe



Model No. PPS - 400

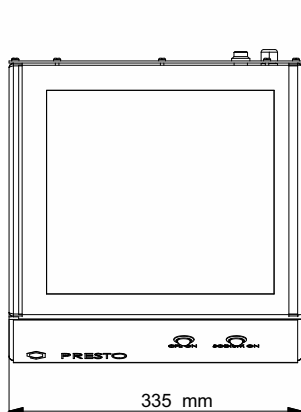
Polariscope Strain Viewer is a consistent tool that helps the manufacturer in testing the quality and transparency of PET preforms. It is based on the principle that any change in refractive index is due to different strain distribution and this leads to lower transparency of material.

- Two light intensity offered: Monochromatic light and Sodium Lamp.
- Sharper and clearer optical viewing experience.
- Standard Template for viewing sample at 45° and 90° angle.
- Large Viewing glass area.

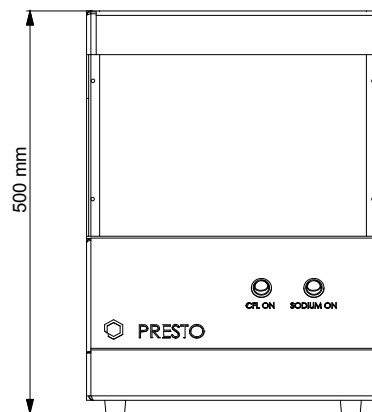


**Complimentary:
Preform Defect Chart**

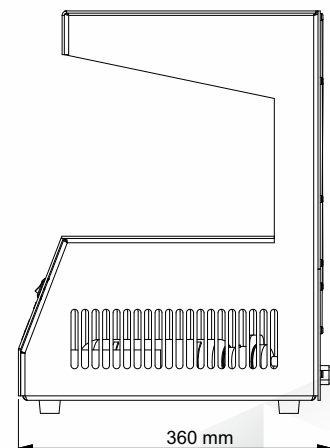
With Polariscope Strain Viewer, not only can the molecular birefringent flow lines (fringes) be seen in color but the black isoclinic lines are visible when the preform axis is parallel to the polarizing axis of the viewer



Top View



Front View



Side View



Presto Stantest Pvt. Ltd.

I-42, DLF Industrial Area Phase-1, Delhi Mathura Road, Faridabad 121003, Haryana, India
P : 9210 903 903, +91 129 4272727, 93111 24302 E : info@prestogroup.com

- Faridabad • Sonipat • Kolkata • Mumbai • Pune • Ahmedabad
- Chennai • Bangalore • Hyderabad

www.prestogroup.com



Key Specifications:

Viewing Area	260 x 240 mm
Display	Pictorial using preform defect chart.
Power	220V, Single phase, 50 Hz
Lights	<ul style="list-style-type: none">• CFL Light (Monochromatic light)• Sodium Light
Standard Template Measuring Angle	45° and 90°

Highlights:

Standard Template	1
Material	Mild Steel
Finish	Powder coated Havel Gray corrosion resistant finish
Dimensions	335x360x50mm

With the use of Monochromatic CFL light and Sodium light, user can observe the strain patterns in Pets, preforms etc.

Optional Features:

- Computerized models also available.
- Polariscoper for Glass sample model also available.

Thank you customers for choosing us as your partners in growth !



*All the above logos are the sole property of their respective owners and are used purely for depiction purposes only.

OUR OTHER PRODUCTS :-

					
Top Load Tester	Wall Thickness Gauge	Gloss Meter Triangle	Polariscoper Comuterized	Moisture Analyzer MB 45	Preform Neck Cutter

